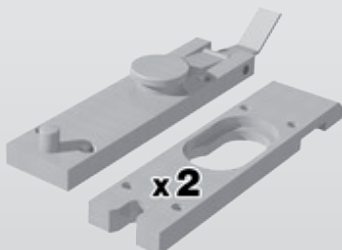
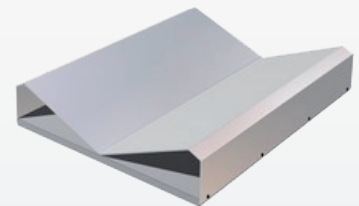
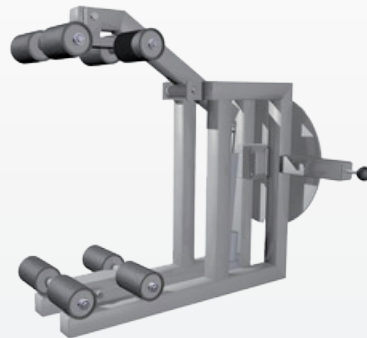
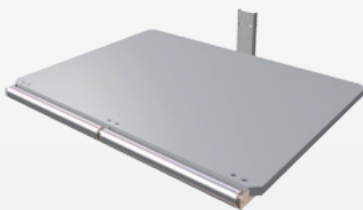
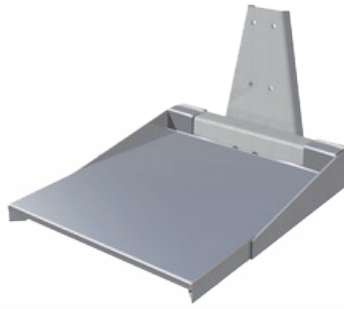


WP Accessories



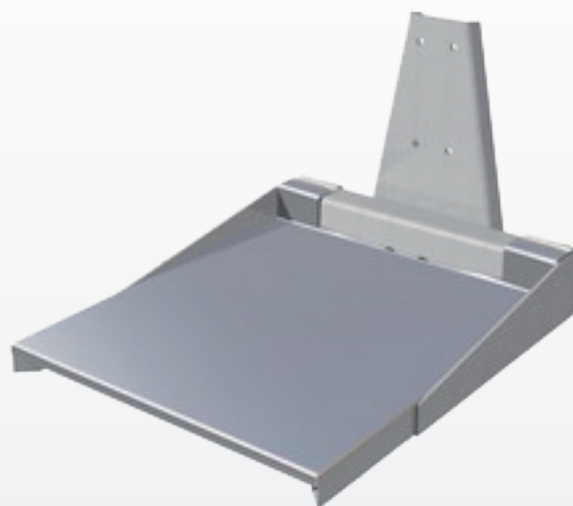


Box/crate handling forks.

Your ideal solution for lifting and handling boxes and crates with a pick up lip. The forks simply fit either side of the box or crate and secure the load using the lip around the rim of the container. The size of the forks can be made to suit your requirements.

Box/crate handling forks complete with removable stainless steel platform.

With all the advantages of the box/crate forks but with the added benefits of a removable stainless steel general purpose platform.



Foldable plastic platform.

Under the all purpose Polyurethane platform you will find a pair of lifting forks. A great tool for many lifting and handling applications. The platform simply hinges upward and locks in position to reveal the steel section forks.

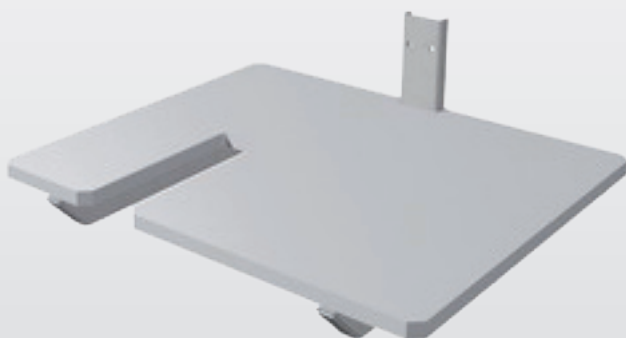


Foldable platform steel mesh.

Expanded steel mesh platforms are designed to be used with various types of specialised loads but are ideally suited for use with high temperature products. The platform hinges upwards and locks in place to reveal a pair of steel forks.

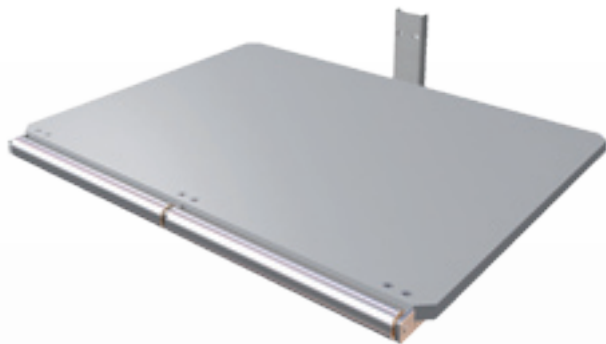
Jib arm with lifting eye

Jib arm length can be made to suit your load, works as a crane arm. A great tool for lifting and positioning loads that have to be lifted from above.



Slotted plastic platform.

Slots can be cut out in the platform to suit for special design.

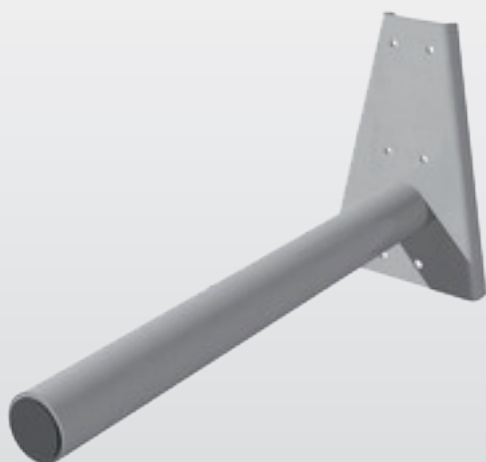
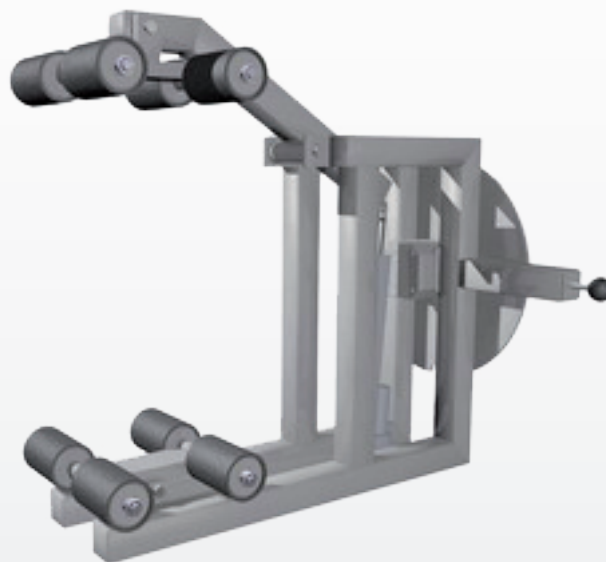


Platform with lead roller

The lead gravity roller assists with the transfer of the load onto and off the platform.

Powered drum and reel gripper

Powered grip and easy turn manual rotation. Securely grips any cylindrical object and can rotate it from vertical to horizontal and back again. Ideal for picking and placing packing reels and lifting and pouring barrels and vessels of liquid, powder and graduals.



Reel mandrel

Designed to lift packing reels with a standard 48mm core size and transfer them to packing line or reel stand.

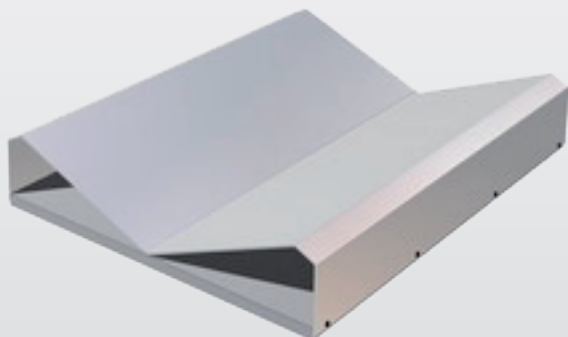


Reel rotator

Picks up a vertical reel and rotates it through 90 degrees to the horizontal position for transfer to packing line. Suitable for a 76mm core size. Manual operation using an easy to operate over-centre clamp.

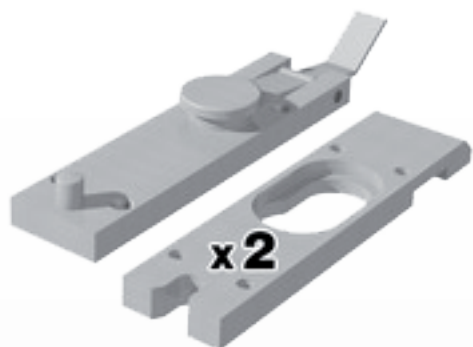
Twin mandrel

Reels and runs locate on the two mandrels leaving the core free to locate on the packing line take off spool.



V-cradle

Reel is secured on the cradle leaving the core free for a spigot to be passed through it and then lifted onto the packing line.



Quick bracket

It you have two or more attachments then this is the right option for you! Rather than using time consuming screw in fixings this options allows you to change attachments in seconds.